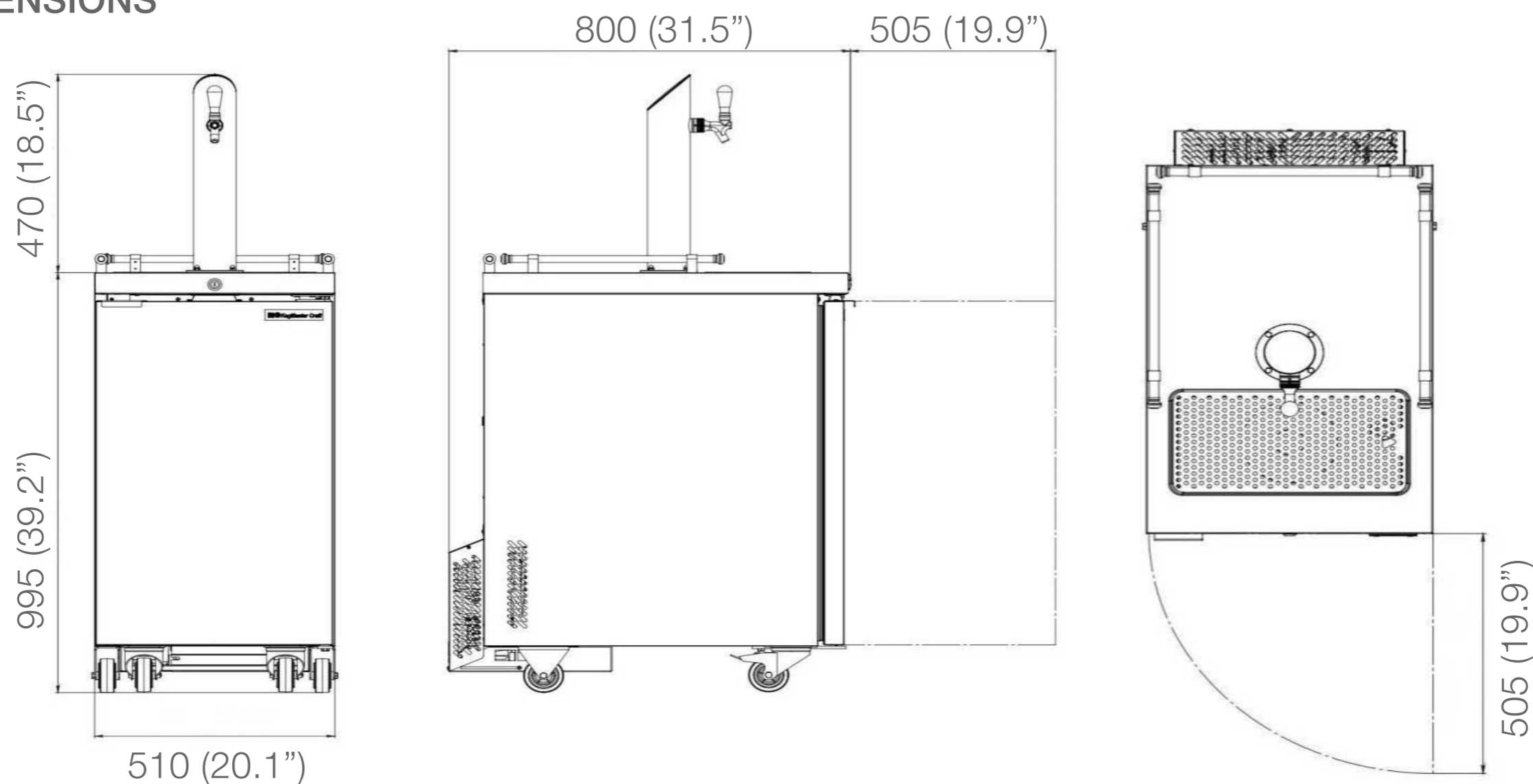


SPECIFICATIONS

Part Number	502.00.000.00
Electrical network	115V, 60Hz
Compressor Power, HP	1/6
Power consumption, Wt	235
Operating amperage, A	3.4
Internal volume, l	185
Net volume, l	165
Refrigerant	R134a or R290
The temperature in the inner volume, °C	-2 ÷ +4
Width, mm	510
Depth, mm	800
Height, mm	995
Height of the column, mm	1465
Net Weight, kg	58
Power cord length, m	2
Operating ambient temperature, °C	18÷32
Clearance	Ask your dealer
Refrigerant (R-134) charge, kg	0,135
Maximum capacity keg container (30l slim/20l slim), pcs	2/2
Thermostat	ETC 1H1 (120V,60Hz)



OVERALL DIMENSIONS



CANADA

UBC COOL CANADA INC
1715 MEYERSIDE DRIVE, UNIT 7-9,
MISSISSAUGA, ON, CANADA, L5T1C5

ph.: +1 (905) 629-2597
Toll Free: +1 (866) 995-9965
fax.: +1 (905) 629-2577
Email: info@beer-co.ca

USA

UBC DISTRIBUTION USA INC
65 NORTH CENTRAL DR.
O'FALLON, MO 63366

ph.: +1 (636) 379-2226
Toll Free: +1 (888) 808-9286
fax.: +1 (866) 659-8904
Email: info@beer-co.us

MÉXICO

GRUPO CERVECERO UKRANIANO,
S.A DE C.V. TOKIO 714, PORTALES SUR,
BENITO JUÁREZ CIUDAD DE MÉXICO 03300

Tel: +52 (55) 2624 3458
Cel: +52 1 (55) 48668127
Email: s.reaskos@beer-co.com.mx

WIRING DIAGRAM

